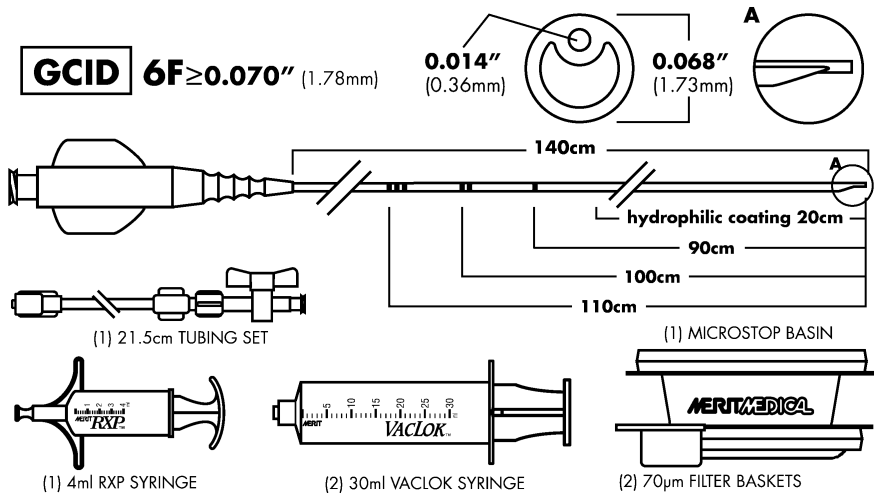


ASAP[®]

ASPIRATION CATHETER KIT



(01)00884450033005(17)800100(10)ASAP100

CE 0086

REF **ASAP100**

+H656ASAP1000K
+\$\$8010180ASAP100KG

1 UNIT

Use Before: **1980-01** **LOT** **ASAP100**

STERILE EO **Single Use** Caution: Consult accompanying documents.
EtO Sterilized.

Non-pyrogenic **Rx ONLY**
Sterile if package is unopened or undamaged. **Made in U.S.A.**

Aspiration Catheter Kit
+H656ASAP1000K
+\$\$8010180ASAP100KG

Aspiration Catheter Kit
+H656ASAP1000K
+\$\$8010180ASAP100KG

Aspiration Catheter Kit
+H656ASAP1000K
+\$\$8010180ASAP100KG



Manufacturer:
Merit Medical Systems, Inc. South Jordan, Utah 84095 U.S.A. · 1-801-253-1600 U.S.A.
Customer Service 1-800-356-3748

EC REP Authorized Representative:
Merit Medical Ireland Ltd Parkmore Business Park West, Galway, Ireland
European Customer Service +31 43 358 82 22
www.merit.com