

8930.15.xxx.S – Cortical Screws Spherical Head Ø 3.5 mm - Labels

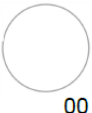




8930.15.xxx.S – Cortical Screws Spherical Head Ø 3.5 mm

<p>REF 8930.15.016.S LOT 2018 T1111 STERILE R 18S2222 2021-12-20 Cortical Screw Unthreaded Head</p> <p>Vite da Corticale Testa non Filettata Ø 3.5 x 16 mm</p>  <p>(20)00(240)9893015016S(10)18T1111(91)18S2222(92)6770</p>  <p>(01)08033051097479(17)211220</p> <p>LSM-MED S.r.l. Strada Borrana,38 47899 Serravalle - R.S.M.</p>	 <p>DIPHOS Ø 3.5 mm L. 16 mm</p> <p>QTY: 1</p> <p>LSM-MED S.r.l. REF 8930.15.016.S LOT 2018 T1111 STERILE R 18S2222 Ti6Al4V ISO 5832-3 Cortical-Unthreaded Head Cortic.-Testa non Filett.</p> 
<p>REF 8930.15.018.S LOT 2018 T1111 STERILE R 18S2222 2021-12-20 Cortical Screw Unthreaded Head</p> <p>Vite da Corticale Testa non Filettata Ø 3.5 x 18 mm</p>  <p>(20)00(240)9893015018S(10)18T1111(91)18S2222(92)6726</p>  <p>(01)08033051097493(17)211220</p> <p>LSM-MED S.r.l. Strada Borrana,38 47899 Serravalle - R.S.M.</p>	 <p>DIPHOS Ø 3.5 mm L. 18 mm</p> <p>QTY: 1</p> <p>LSM-MED S.r.l. REF 8930.15.018.S LOT 2018 T1111 STERILE R 18S2222 Ti6Al4V ISO 5832-3 Cortical-Unthreaded Head Cortic.-Testa non Filett.</p> 
<p>REF 8930.15.020.S LOT 2018 T1111 STERILE R 18S2222 2021-12-20 Cortical Screw Unthreaded Head</p> <p>Vite da Corticale Testa non Filettata Ø 3.5 x 20 mm</p>  <p>(20)00(240)9893015020S(10)18T1111(91)18S2222(92)6749</p>  <p>(01)08033051097516(17)211220</p> <p>LSM-MED S.r.l. Strada Borrana,38 47899 Serravalle - R.S.M.</p>	 <p>DIPHOS Ø 3.5 mm L. 20 mm</p> <p>QTY: 1</p> <p>LSM-MED S.r.l. REF 8930.15.020.S LOT 2018 T1111 STERILE R 18S2222 Ti6Al4V ISO 5832-3 Cortical-Unthreaded Head Cortic.-Testa non Filett.</p> 




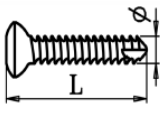


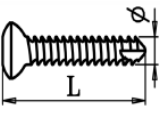




8930.15.xxx.S – Cortical Screws Spherical Head Ø 3.5 mm - Labels

<p>REF 8930.15.022.S CE 0426 </p> <p>LOT 2018 T1111</p> <p>STERILE R 18S2222 2021-12-20</p> <p>Cortical Screw Unthreaded Head</p> <p>Vite da Corticale Testa non Filettata Ø 3.5 x 22 mm</p> <p>(20)00(240)9893015022S(10)18T1111(91)18S2222(92)6754</p> <p>(01)08033051097530(17)211220</p> <hr/> <p> LSM-MED S.r.l. Strada Borrana,38 47899 Serravalle - R.S.M.</p>	<div style="text-align: center;"> </div> <p style="text-align: right;">DIPHOS Ø 3.5 mm L. 22 mm</p> <p style="text-align: center;">QTY: 1</p> <p> LSM-MED S.r.l.</p> <p>REF 8930.15.022.S</p> <p>LOT 2018 T1111 STERILE R 18S2222</p> <p>Ti6Al4V ISO 5832-3 Cortical-Unthreaded Head Cortic.-Testa non Filett.</p> <div style="text-align: right;"> </div>
<p>REF 8930.15.024.S CE 0426 </p> <p>LOT 2018 T1111</p> <p>STERILE R 18S2222 2021-12-20</p> <p>Cortical Screw Unthreaded Head</p> <p>Vite da Corticale Testa non Filettata Ø 3.5 x 24 mm</p> <p>(20)00(240)9893015024S(10)18T1111(91)18S2222(92)6732</p> <p>(01)08033051097554(17)211220</p> <hr/> <p> LSM-MED S.r.l. Strada Borrana,38 47899 Serravalle - R.S.M.</p>	<div style="text-align: center;"> </div> <p style="text-align: right;">DIPHOS Ø 3.5 mm L. 24 mm</p> <p style="text-align: center;">QTY: 1</p> <p> LSM-MED S.r.l.</p> <p>REF 8930.15.024.S</p> <p>LOT 2018 T1111 STERILE R 18S2222</p> <p>Ti6Al4V ISO 5832-3 Cortical-Unthreaded Head Cortic.-Testa non Filett.</p> <div style="text-align: right;"> </div>
<p>REF 8930.15.026.S CE 0426 </p> <p>LOT 2018 T1111</p> <p>STERILE R 18S2222 2021-12-20</p> <p>Cortical Screw Unthreaded Head</p> <p>Vite da Corticale Testa non Filettata Ø 3.5 x 26 mm</p> <p>(20)00(240)9893015026S(10)18T1111(91)18S2222(92)6773</p> <p>(01)08033051097578(17)211220</p> <hr/> <p> LSM-MED S.r.l. Strada Borrana,38 47899 Serravalle - R.S.M.</p>	<div style="text-align: center;"> </div> <p style="text-align: right;">DIPHOS Ø 3.5 mm L. 26 mm</p> <p style="text-align: center;">QTY: 1</p> <p> LSM-MED S.r.l.</p> <p>REF 8930.15.026.S</p> <p>LOT 2018 T1111 STERILE R 18S2222</p> <p>Ti6Al4V ISO 5832-3 Cortical-Unthreaded Head Cortic.-Testa non Filett.</p> <div style="text-align: right;"> </div>




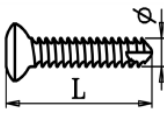

8930.15.xxx.S – Cortical Screws Spherical Head Ø 3.5 mm - Labels

<p>REF 8930.15.028.S CE  0426</p> <p>LOT 2018 T1111</p> <p>STERILE R 18S2222 2021-12-20</p> <p>Cortical Screw Unthreaded Head</p> <p>Vite da Corticale Testa non Filettata Ø 3.5 x 28 mm</p>  <p>(20)00(240)9893015028S(10)18T1111(91)18S2222(92)6720</p>  <p>(01)08033051097592(17)211220</p> <hr/> <p> LSM-MED S.r.l. Strada Borrana,38 47899 Serravalle - R.S.M.</p>	<div style="text-align: right;">  <p>DIPHOS Ø 3.5 mm L. 28 mm</p> </div> <p style="text-align: center;">QTY: 1</p> <p> LSM-MED S.r.l.</p> <p>REF 8930.15.028.S</p> <p>LOT 2018 T1111 STERILE R 18S2222</p> <p>Ti6Al4V ISO 5832-3 Cortical-Unthreaded Head Cortic.-Testa non Filett.</p> <div style="text-align: right;">  </div>
<p>REF 8930.15.030.S CE  0426</p> <p>LOT 2018 T1111</p> <p>STERILE R 18S2222 2021-12-20</p> <p>Cortical Screw Unthreaded Head</p> <p>Vite da Corticale Testa non Filettata Ø 3.5 x 30 mm</p>  <p>(20)00(240)9893015030S(10)18T1111(91)18S2222(92)6784</p>  <p>(01)08033051097615(17)211220</p> <hr/> <p> LSM-MED S.r.l. Strada Borrana,38 47899 Serravalle - R.S.M.</p>	<div style="text-align: right;">  <p>DIPHOS Ø 3.5 mm L. 30 mm</p> </div> <p style="text-align: center;">QTY: 1</p> <p> LSM-MED S.r.l.</p> <p>REF 8930.15.030.S</p> <p>LOT 2018 T1111 STERILE R 18S2222</p> <p>Ti6Al4V ISO 5832-3 Cortical-Unthreaded Head Cortic.-Testa non Filett.</p> <div style="text-align: right;">  </div>
<p>REF 8930.15.032.S CE  0426</p> <p>LOT 2018 T1111</p> <p>STERILE R 18S2222 2021-12-20</p> <p>Cortical Screw Unthreaded Head</p> <p>Vite da Corticale Testa non Filettata Ø 3.5 x 32 mm</p>  <p>(20)00(240)9893015032S(10)18T1111(91)18S2222(92)6724</p>  <p>(01)08033051097639(17)211220</p> <hr/> <p> LSM-MED S.r.l. Strada Borrana,38 47899 Serravalle - R.S.M.</p>	<div style="text-align: right;">  <p>DIPHOS Ø 3.5 mm L. 32 mm</p> </div> <p style="text-align: center;">QTY: 1</p> <p> LSM-MED S.r.l.</p> <p>REF 8930.15.032.S</p> <p>LOT 2018 T1111 STERILE R 18S2222</p> <p>Ti6Al4V ISO 5832-3 Cortical-Unthreaded Head Cortic.-Testa non Filett.</p> <div style="text-align: right;">  </div>

8930.15.xxx.S – Cortical Screws Spherical Head Ø 3.5 mm - Labels

<p>REF 8930.15.034.S LOT 2018 T1111 STERILE R 18S2222 2021-12-20 Cortical Screw Unthreaded Head</p> <p align="right">CE 0426 </p> <p>Vite da Corticale Testa non Filettata Ø 3.5 x 34 mm</p>  <small>(20)00(240)9893015034S(10)18T1111(91)18S2222(92)6768</small>  <small>(01)08033051097653(17)211220</small> <hr/> <p> LSM-MED S.r.l. Strada Borrana,38 47899 Serravalle - R.S.M.</p>	<p align="center">  </p> <p align="right">DIPHOS Ø 3.5 mm L. 34 mm</p> <p align="center">QTY: 1</p> <p> LSM-MED S.r.l.</p> <p>REF 8930.15.034.S LOT 2018 T1111 STERILE R 18S2222</p> <p>Ti6Al4V ISO 5832-3 Cortical-Unthreaded Head Cortic.-Testa non Filett.</p> 
<p>REF 8930.15.036.S LOT 2018 T1111 STERILE R 18S2222 2021-12-20 Cortical Screw Unthreaded Head</p> <p align="right">CE 0426 </p> <p>Vite da Corticale Testa non Filettata Ø 3.5 x 36 mm</p>  <small>(20)00(240)9893015036S(10)18T1111(91)18S2222(92)6742</small>  <small>(01)08033051097677(17)211220</small> <hr/> <p> LSM-MED S.r.l. Strada Borrana,38 47899 Serravalle - R.S.M.</p>	<p align="center">  </p> <p align="right">DIPHOS Ø 3.5 mm L. 36 mm</p> <p align="center">QTY: 1</p> <p> LSM-MED S.r.l.</p> <p>REF 8930.15.036.S LOT 2018 T1111 STERILE R 18S2222</p> <p>Ti6Al4V ISO 5832-3 Cortical-Unthreaded Head Cortic.-Testa non Filett.</p> 
<p>REF 8930.15.038.S LOT 2018 T1111 STERILE R 18S2222 2021-12-20 Cortical Screw Unthreaded Head</p> <p align="right">CE 0426 </p> <p>Vite da Corticale Testa non Filettata Ø 3.5 x 38 mm</p>  <small>(20)00(240)9893015038S(10)18T1111(91)18S2222(92)6716</small>  <small>(01)08033051097691(17)211220</small> <hr/> <p> LSM-MED S.r.l. Strada Borrana,38 47899 Serravalle - R.S.M.</p>	<p align="center">  </p> <p align="right">DIPHOS Ø 3.5 mm L. 38 mm</p> <p align="center">QTY: 1</p> <p> LSM-MED S.r.l.</p> <p>REF 8930.15.038.S LOT 2018 T1111 STERILE R 18S2222</p> <p>Ti6Al4V ISO 5832-3 Cortical-Unthreaded Head Cortic.-Testa non Filett.</p> 

8930.15.xxx.S – Cortical Screws Spherical Head Ø 3.5 mm - Labels

<p>REF 8930.15.040.S</p> <p>LOT 2018 T1111</p> <p>STERILE R 18S2222 2021-12-20</p> <p>Cortical Screw Unthreaded Head</p> <p>Vite da Corticale Testa non Filettata Ø 3.5 x 40 mm</p>  <p>(20)00(240)9893015040S(10)18T1111(91)18S2222(92)6733</p>  <p>(01)08033051097714(17)211220</p> <p>LSM-MED S.r.l. Strada Borrana,38 47899 Serravalle - R.S.M.</p>	<p>CE 0426 </p>  <p>DIPHOS Ø 3.5 mm L. 40 mm</p> <p>QTY: 1</p> <p>LSM-MED S.r.l.</p> <p>REF 8930.15.040.S</p> <p>LOT 2018 T1111 STERILE R 18S2222</p> <p>Ti6Al4V ISO 5832-3 Cortical-Unthreaded Head Cortic.-Testa non Filett.</p> 
--	--